

This presentation was supported by a grant from the U.S. Department of Homeland Security

# AGW Packet Engine Pro QUICK SET-UP GUIDE

Software developed by: George Rossopoylos SV2AGW

<http://www.sv2agw.com/ham/default.htm>



# PURPOSE

---

- Quick Setup
- What is AGWPEPRO?
- Multiple Programs
- Multiple Radios
- Setup
- Verify Connection
- Test

# Quick Setup

- This presentation serves as a “Quick Setup” and operation instructional guide.
- For a more detailed understanding, of Packet Engine Pro, read the “Help” page by pointing your HAMLINK system’s browser to:
- C:\Program Files\AGWSOFT\Packet Engine Pro\Help\index.htm
- For the latest updates and information go to <http://www.sv2agw.com/ham/default.htm>

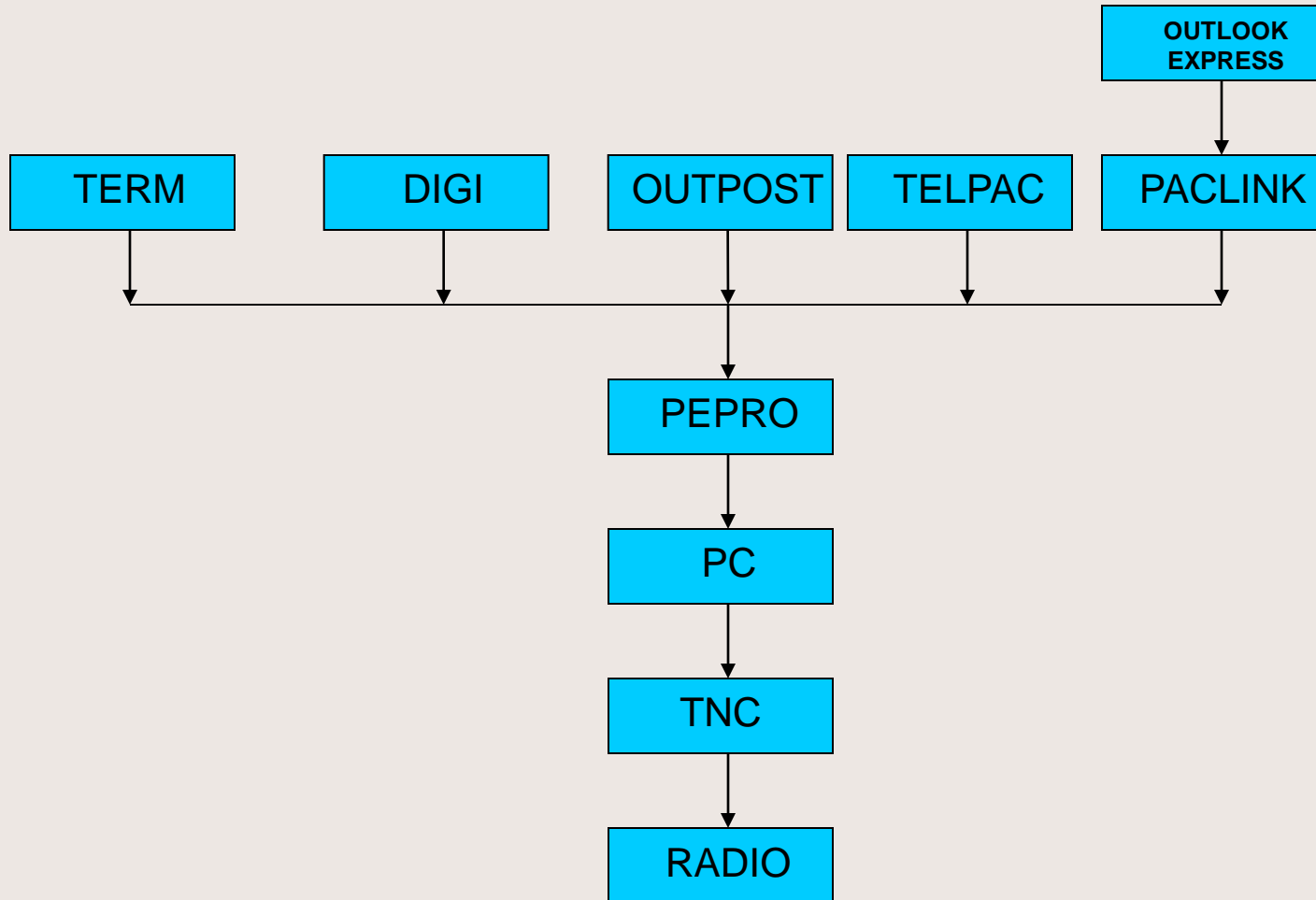
# Registration

- You can download AGWPEPRO to run on your own computer, but you will have to register after 30 days.
- There is a one time registration fee of \$49.00 for as many computers that you want to load it on and use based on your call sign.
- Under special agreement, George has given us license to install PEPRO on every HamLink System for no additional charge.

# What is AGWPEPRO?

- Packet Engine Pro (PE Pro) is a special Windows© utility for amateur radio operators who use 'packet' digital communications.
- This unique program makes it possible for **multiple packet programs** to access **multiple packet devices**, such as TNCs (Terminal Node Controllers), radio modems, and sound cards acting as radio modems.
- Generally most packet programs can only use **one** device at a time and most packet devices can only be used by **one** program at a time.
- Packet Engine Pro changes all that by placing the TNC in KISS (simple host to TNC protocol) that allows multiple applications simultaneous access to the radio resources.

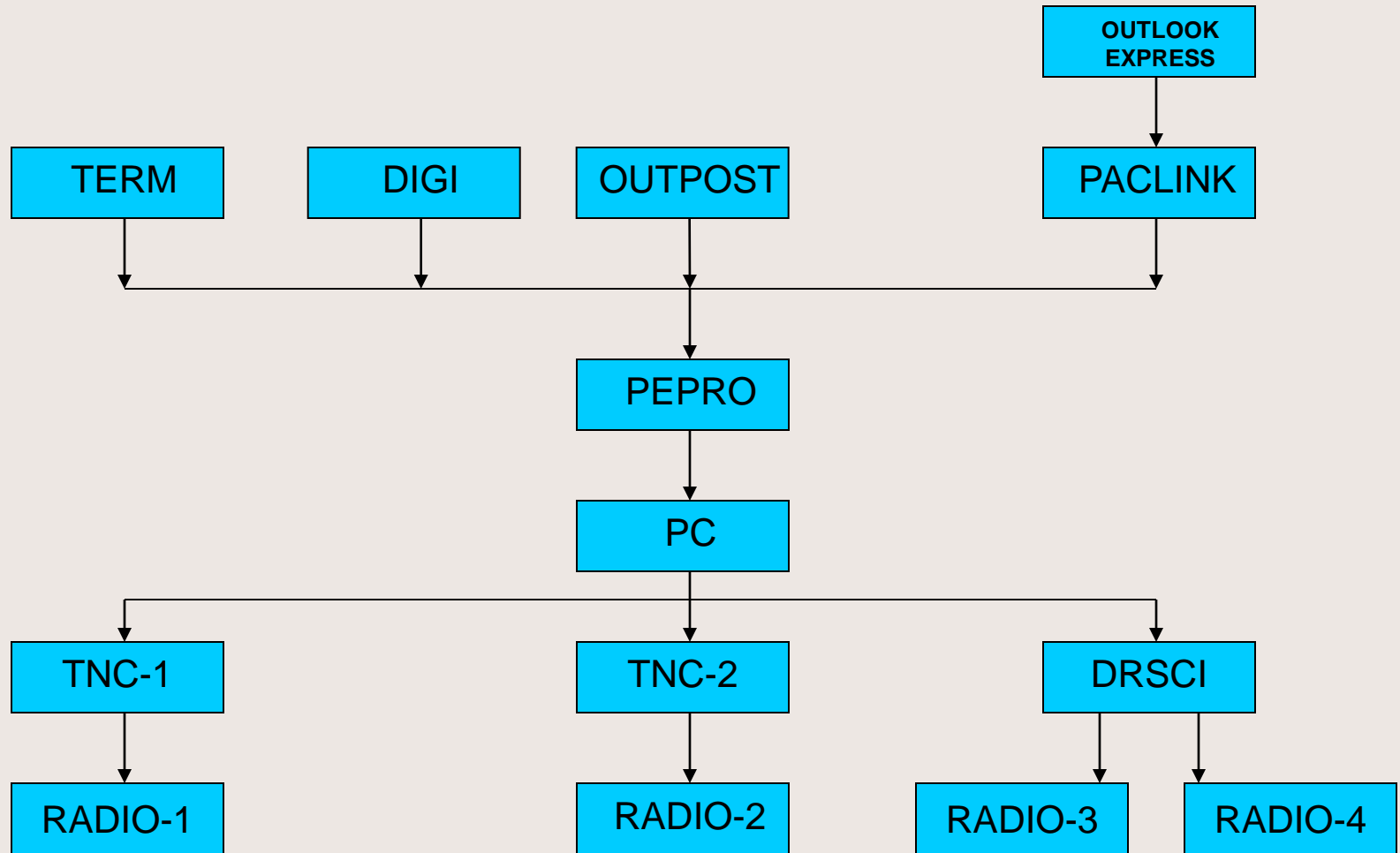
# Multiple Programs



# Multiple Programs

- As long as you have a different SSID or dash number after the call sign you setup for each application the AGWPEPRO engine will manage each application independently.
- As a form of standardization, in Washoe County we use:
- NO SSID or dash number after my call sign in Outpost
- WA6MTY-2 for AGW Terminal,
- WA6MTY-9 for Paclink,
- WA6MTY-10 for the Telpac station and
- WA6MTY-12 for Digipeaters.

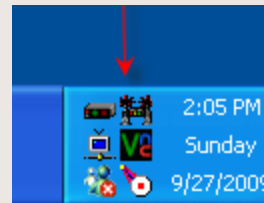
# Multiple Radios



# OPEN AGWPEPRO



- Click the AGWPEPRO Icon in the Quick Launch

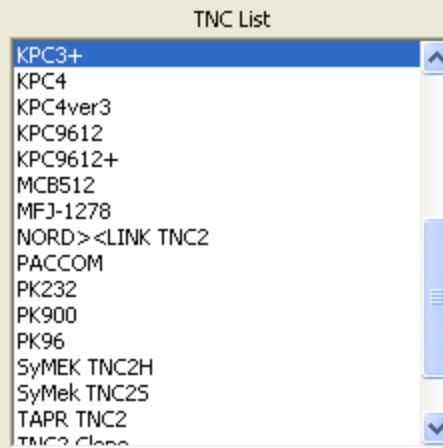


- The Icon will appear in the (lower right task bar)
- Left click and select:  
“Open PEPRO Manager”



# Select Device

- External Tnc(e.g.TNC2,uicro USB,KAM...)
- External Modems(e.g.Yam,Baycom etc)
- Internal Cards(e.g.DRSI,SCC etc)
- SoundCard
- Other(LoopBack,AXIP)



# Find COMM Port

Serial/Parallel Port

BaudRate

If you are not sure which the serial Port and or the Baudrate Press [Detect] buton and i will try to adjust the parameters for you. If your serial port is not in the list just type it.



Detect

# Verify Connection

Now turn on your TNC to see if the settings are correct. If already on ,then turn it off and then back on.



If you can't read the contents of the above window then you probably have set a wrong baudrate, go back change it and try again till you can read your tnc startup message. If you can read the startup message then press NEXT to continue.

- Now verify the connection by turning the TNC off and back on
- You should be able to read the KPC3+ firmware message in the box.
- If not you need to troubleshoot the connection

# Troubleshoot

- Trouble shoot your connection by attempting to talk to your TNC through the assigned PORT using a standard terminal program such as “Hyperterminal” which can be found on the HAMLINK system by navigating to START>ALL PROGRAMS\Accessories\Communications
- Another way of identifying a COM port is to select the SYSTEM icon from the START>CONTROL PANEL and navigate to the HARDWARE tab, to located the “DEVICE DRIVER” button and expand the PORTS branch section to review what COM ports are available to the system.

# Test

Kiss SubType

IniKiss 1

IniKiss2

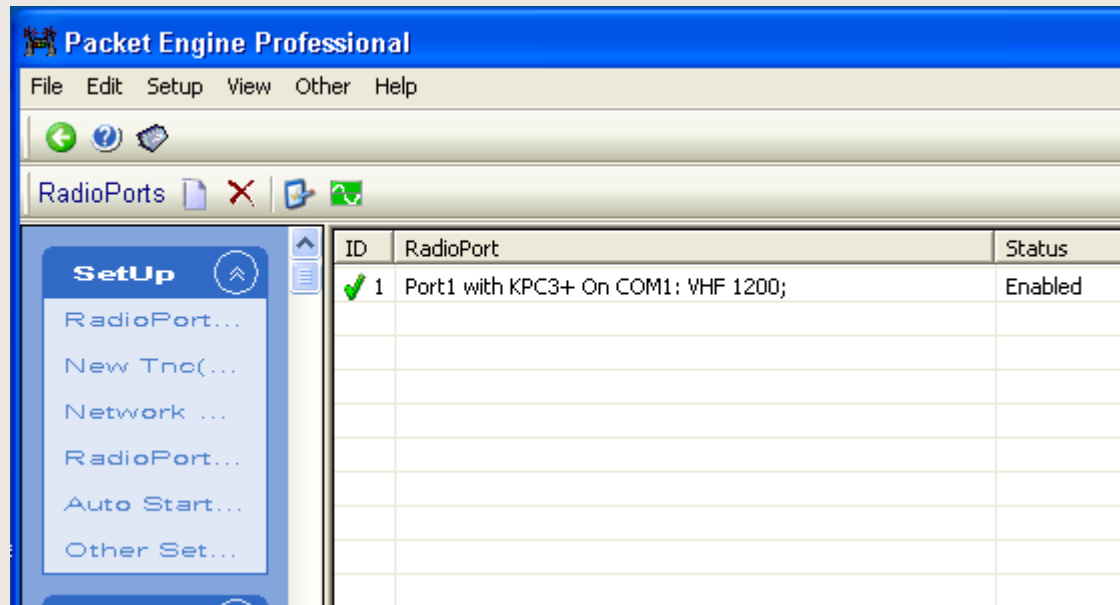
IniKiss3

---

**New Tnc Setup**

Did your TNC flashed 3 times the STA and CON Leds?

# Good to Go!



# SUMMARY

---

- Quick Setup
- What is AGWPEPRO?
- Multiple Programs
- Multiple Radios
- Setup
- Verify Connection
- Test

# Questions???



HAMLINK Incident Management System

[http:// WWW.HAMLINKOnline.com](http://WWW.HAMLINKOnline.com)

